

A

B

C

D

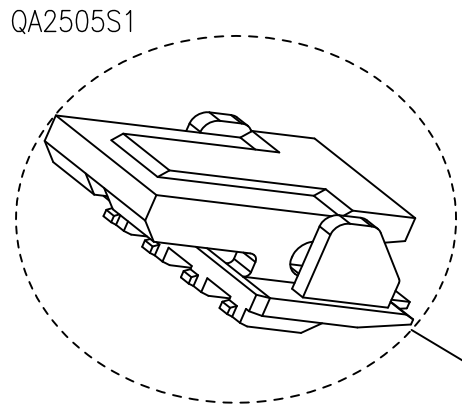
E

F

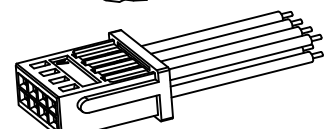
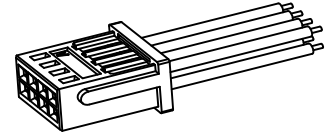
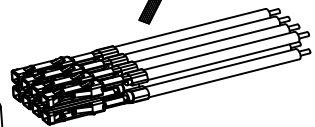
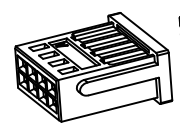
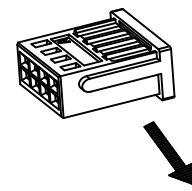
REV	DESCRIPTION	DESIGN	DATE
A	NEW RELEASE	Lingqing	2021/05/28

1

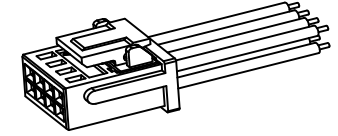
组装流程图
Assembly flow chart



QA2505Y



QA2505S2



2

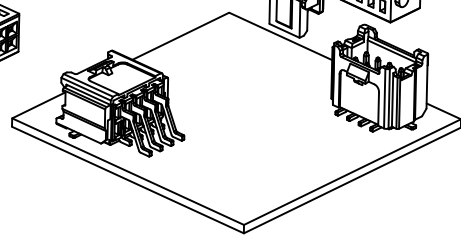
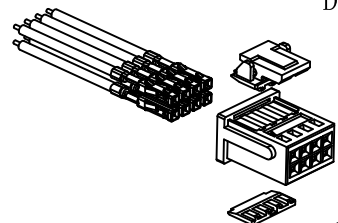
3

4

5

示意图
Diagram

QA2505T



JKUN 温州健坤接插件有限公司
WENZHOU JKUN CONNECTOR CO.,LTD.

GENERAL TOLERANCE	
X. ±0.50	X. ±5°
X.X ±0.30	X.X ±2°
X.XX ±0.20	X.XX ±1°
UNITS: mm	

USE: CUSTOMER
APPD: Zhuzhigang
CHKD: Zenglingqing
DR: Jiangjianying

TITLE: -	
PART NO.: QA2505示意图、组装流程图	
DWG NO.: -	
SCALE 1 : 1	SHEET 1 / 1

A

B

C

D

E

F

1

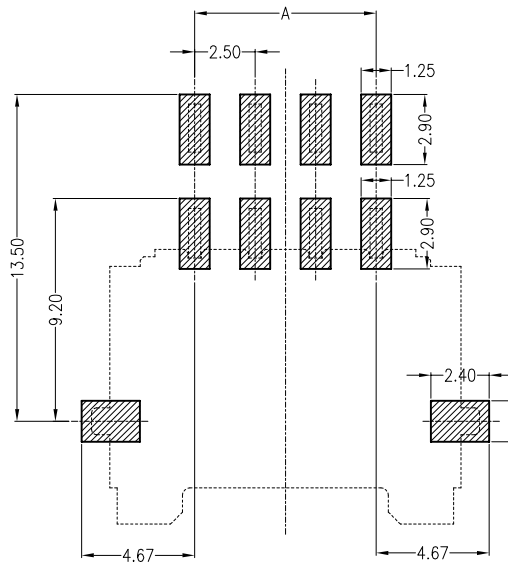
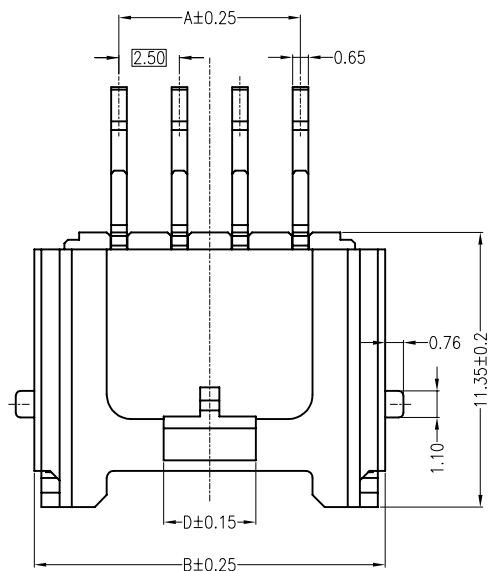
2

3

4

5

REV	DESCRIPTION	DESIGN	DATE
A	NEW RELEASE	Lingqing	2022/01/10

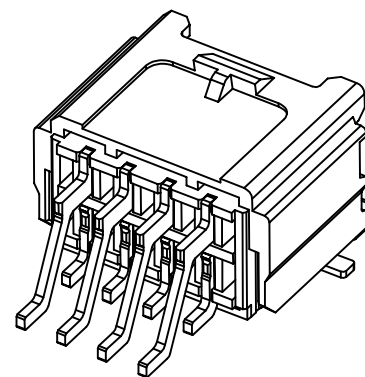
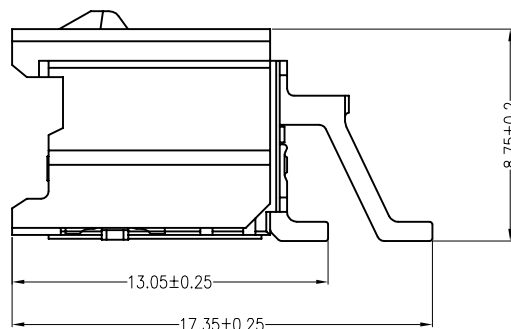
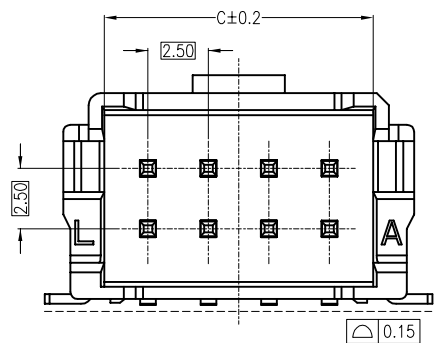


PCB LAYOUT(Tolerance:±0.05)

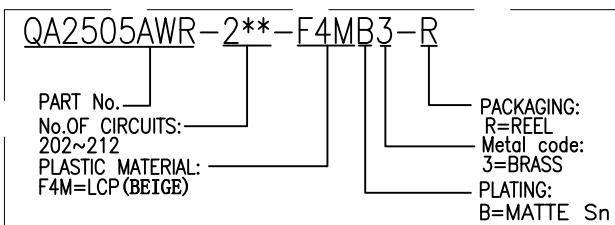
Specifications:

Contact resistance: ≤20mΩ
 Insulation resistance: ≥1000MΩ
 Rated voltage: 250V AC DC
 Rated current: 3A AC DC
 Withstand Voltage: 1000V AC/minute
 Temperature Range: -40°C ~ +125°C
 Housing: LCP UL94V-0, Natural(Beige)
 Contacts: Brass/MATTE Sn
 Solder Tabs: Brass/MATTE Sn

Circuits	Dimensions (mm)			
	A	B	C	D
202 (2X2)	2.50	9.50	6.10	1.80
203 (2X3)	5.00	12.00	8.60	2.40
204 (2X4)	7.50	14.50	11.10	3.80
205 (2X5)	10.00	17.00	13.60	6.30
206 (2X6)	12.50	19.50	16.10	8.80
207 (2X7)	15.00	22.00	18.60	
208 (2X8)	17.50	24.50	21.10	9.80
209 (2X9)	20.00	27.00	23.60	
210 (2X10)	22.50	29.50	26.10	
211 (2X11)	25.00	32.00	28.60	
212 (2X12)	27.50	34.50	31.10	

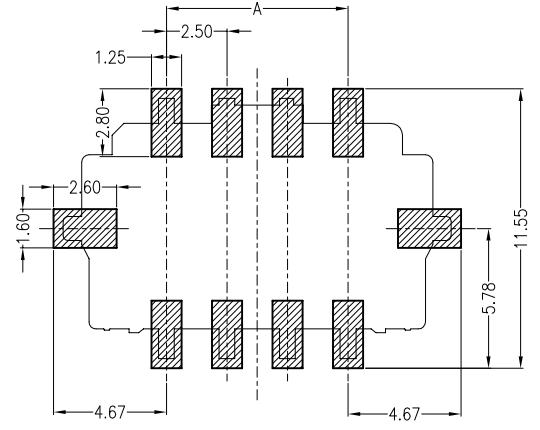
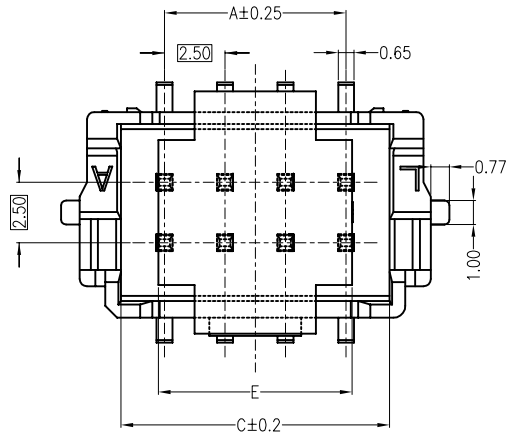


ORDER INFORMATION:



JKUN 温州健坤接插件有限公司 WENZHOU JKUN CONNECTOR CO.,LTD.		TITLE: 2.50mm PITCH 90° WAFER SMT TYPE	
GENERAL TOLERANCE		USE: CUSTOMER	PART NO.:
X. ±0.50	X. ±5°	APPD: Zhuzhigang	QA2505AWR-**-F4MB3-R
X.X ±0.30	X.X ±2°	CHKD: Zenglingqing	DWG NO.:
X.XX ±0.20	X.XX ±1°	DR: Jiangjiaying	JKUN-GCKH-1517
⊕	UNITS: mm	SCALE 1 : 1	SHEET 1 / 1

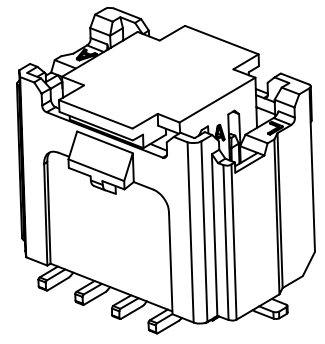
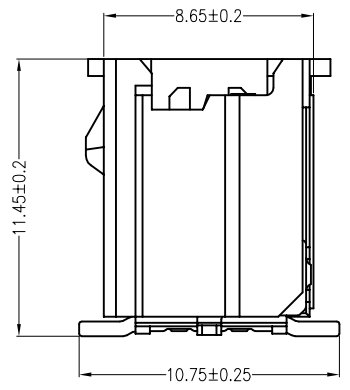
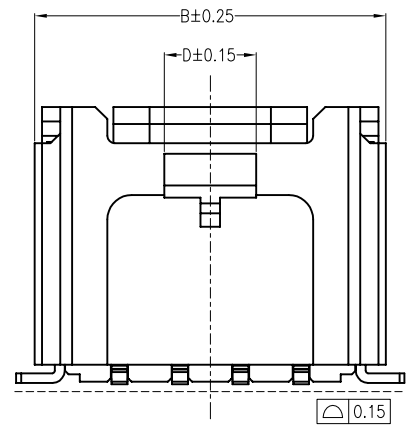
REV	DESCRIPTION	DESIGN	DATE
A	NEW RELEASE	Lingqing	2022/01/10



PCB LAYOUT(Tolerance:±0.05)

Specifications:

- Contact resistance: ≤20mΩ
- Insulation resistance: ≥1000MΩ
- Rated voltage: 250V AC DC
- Rated current: 3.0A AC DC
- Withstand Voltage: 1000V AC/minute
- Temperature Range: -40°C ~ +125°C
- Housing: LCP UL94V-0, Natural(Beige)
- Cap: LCP UL94V-0, Natural(Beige)
- Contacts: Brass/MATTE Sn
- Solder Tabs: Brass/MATTE Sn



Circuits	Dimensions (mm)				
	A	B	C	D	E (Cap)
202 (2X2)	2.50	9.50	6.10	1.80	5.50
203 (2X3)	5.00	12.00	8.60	2.40	8.00
204 (2X4)	7.50	14.50	11.10	3.80	
205 (2X5)	10.00	17.00	13.60	6.30	9.80
206 (2X6)	12.50	19.50	16.10	8.80	
207 (2X7)	15.00	22.00	18.60		
208 (2X8)	17.50	24.50	21.10	9.80	8.00
209 (2X9)	20.00	27.00	23.60		
210 (2X10)	22.50	29.50	26.10	9.80	8.00
211 (2X11)	25.00	32.00	28.60		
212 (2X12)	27.50	34.50	31.10		

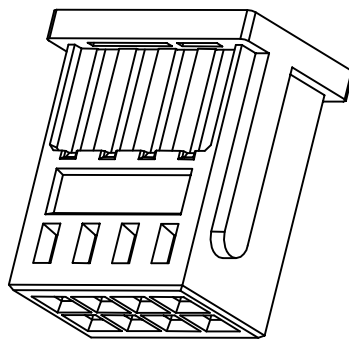
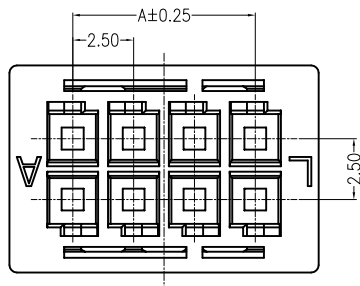
ORDER INFORMATION:

QA2505AWV-2-F4MB3-R-X**

PART No.	SPECIAL CODE:
No. OF CIRCUITS:	X=CAP
202~212	PACKAGING:
PLASTIC MATERIAL:	R=REEL
F4M=LCP (BEIGE)	Metal code:
	3=BRASS
	PLATING:
	B=MATTE Sn

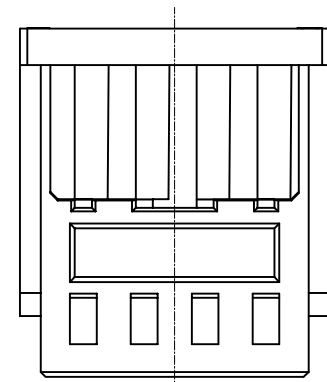
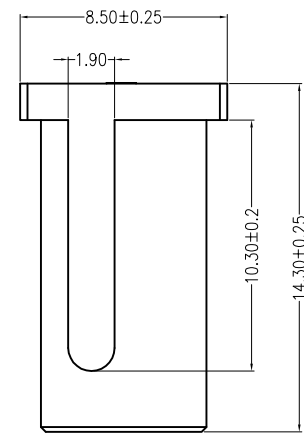
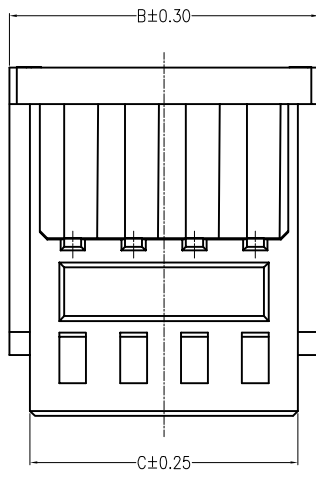
JKUN 温州健坤接插件有限公司 WENZHOU JKUN CONNECTOR CO.,LTD.		TITLE: 2.50mmPITCH 180°WAFER SMT TYPE	
GENERAL TOLERANCE		USE: CUSTOMER	PART NO.:
X. ±0.50	X. ±5'	APPD: Zhuzhigang	QA2505AWV-**-F4MB3-R-X
X.X ±0.30	X.X ±2'	CHKD: Zenglingqing	DWG NO.:
X.XX ±0.20	X.XX ±1'	DR: Jiangjianying	JKUN-GCKH-1518
UNITS: mm		SCALE 1 : 1	SHEET 1 / 1

REV	DESCRIPTION	DESIGN	DATE
A	NEW RELEASE	Lingqing	2021/05/28



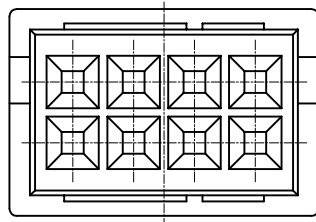
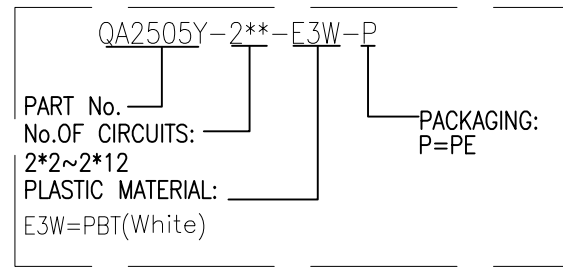
Specifications:

Contact resistance: $\leq 20m\Omega$
 Insulation resistance: $\geq 1000M\Omega$
 Rated voltage: 250V AC DC
 Rated current: 3.0A AC DC
 Withstand Voltage: 1000V AC/minute
 Temperature Range: $-40^{\circ}C \sim +125^{\circ}C$
 Housing: PBT UL94V-0, White



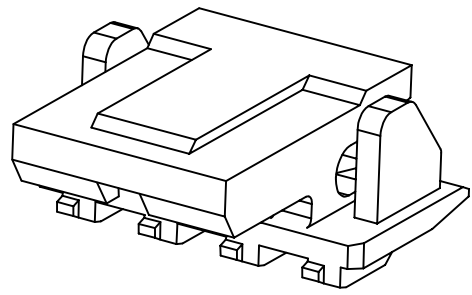
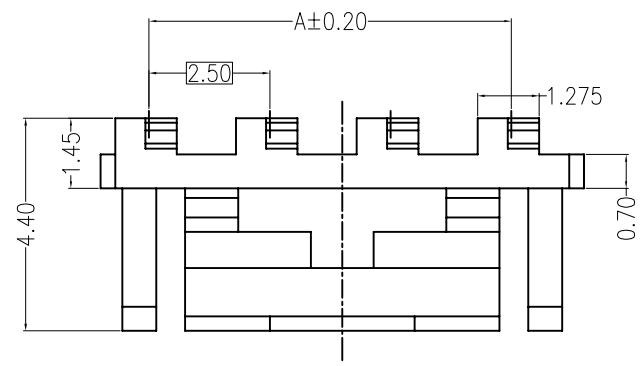
Circuits	Dimensions (mm)		
	A	B	C
2*2	2.50	7.70	6.00
2*3	5.00	10.20	8.50
2*4	7.50	12.70	11.00
2*5	10.00	15.20	13.50
2*6	12.50	17.70	16.00
2*7	15.00	20.20	18.50
2*8	17.50	22.70	21.00
2*9	20.00	25.20	23.50
2*10	22.50	27.70	26.00
2*11	25.00	30.20	28.50
2*12	27.50	32.70	31.00

ORDER INFORMATION:



JKUN 温州健坤接插件有限公司 WENZHOU JKUN CONNECTOR CO.,LTD.		TITLE: 2.5mm PITCH Housing	
GENERAL TOLERANCE		USE: CUSTOMER	PART NO.:
X. ±0.50	X. ±5'	APPD: Zhuzhigang	QA2505Y-2**-E3W-P
X.X ±0.30	X.X ±2'	CHKD: Zenglingqing	DWG NO.:
X.XX ±0.20	X.XX ±1'	DR: Jiangjianying	JKUN-GCKH-1519
UNITS: mm		SCALE 1 : 1	SHEET 1 / 1

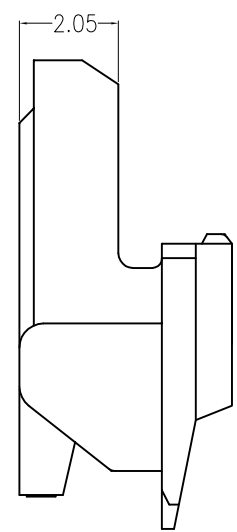
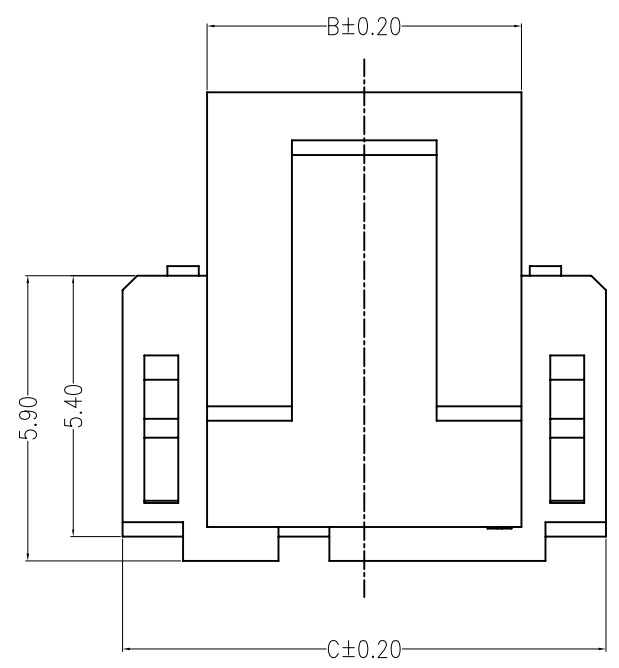
REV	DESCRIPTION	DESIGN	DATE
A	NEW RELEASE	Lingqing	2021/05/28



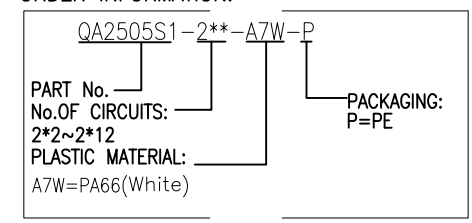
Specifications:

Contact resistance: $\leq 20m\Omega$
 Insulation resistance: $\geq 1000M\Omega$
 Rated voltage: 250V AC DC
 Rated current: 3.0A AC DC
 Withstand Voltage: 1000V AC/minute
 Temperature Range: $-40^{\circ}C \sim +125^{\circ}C$
 Housing: PA66 UL94V-0, White

Circuits	Dimensions (mm)		
	A	B	C
2*2	2.50	3.30	5.00
2*3	5.00	4.20	7.50
2*4	7.50	6.50	10.00
2*5	10.00	9.00	12.50
2*6	12.50	11.50	15.00
2*7	15.00	11.50	17.50
2*8	17.50	11.50	20.00
2*9	20.00	12.50	22.50
2*10	22.50	12.50	25.00
2*11	25.00	12.50	27.50
2*12	27.50	12.50	30.00



ORDER INFORMATION:

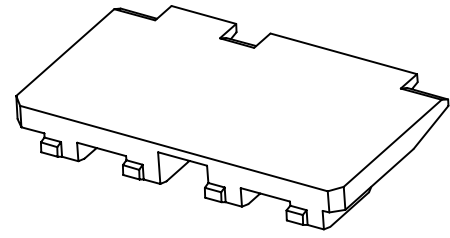
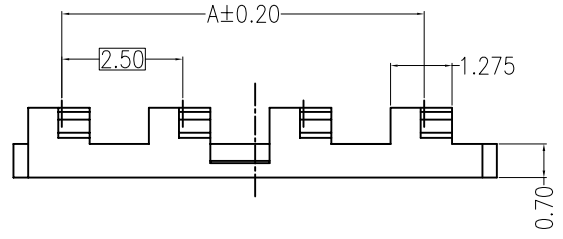


JKUN 温州健坤接插件有限公司 WENZHOU JKUN CONNECTOR CO.,LTD.		TITLE: 2.5mm PITCH Housing	
GENERAL TOLERANCE		USE: CUSTOMER	PART NO.:
X. ± 0.50	X. $\pm 5^{\circ}$	APPD: Zhuzhigang	QA2505S1-2**-A7W-P
X.X ± 0.30	X.X $\pm 2^{\circ}$	CHKD: Zenglingqing	DWG NO.:
X.XX ± 0.20	X.XX $\pm 1^{\circ}$	DR: Jiangjianying	JKUN-GCKH-1520
UNITS: mm		SCALE 1 : 1	SHEET 1 / 1

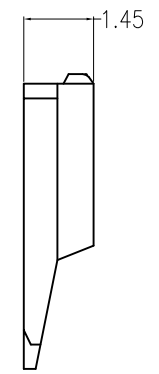
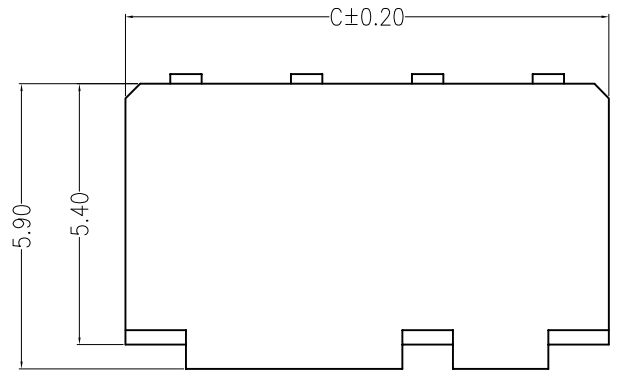
REV	DESCRIPTION	DESIGN	DATE
A	NEW RELEASE	Lingqing	2021/05/28

Specifications:

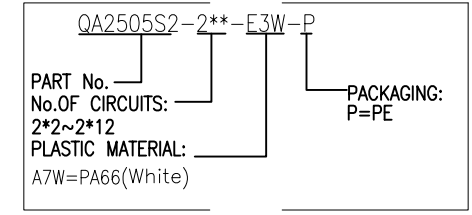
Contact resistance: $\leq 20m\Omega$
 Insulation resistance: $\geq 1000M\Omega$
 Rated voltage: 250V AC DC
 Rated current: 3.0A AC DC
 Withstand Voltage: 1000V AC/minute
 Temperature Range: $-40^{\circ}C \sim +125^{\circ}C$
 Housing: PBT UL94V-0, White



Circuits	Dimensions (mm)	
	A	B
2*2	2.50	5.00
2*3	5.00	7.50
2*4	7.50	10.00
2*5	10.00	12.50
2*6	12.50	15.00
2*7	15.00	17.50
2*8	17.50	20.00
2*9	20.00	22.50
2*10	22.50	25.00
2*11	25.00	27.50
2*12	27.50	30.00

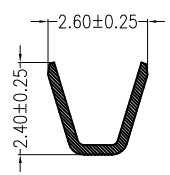
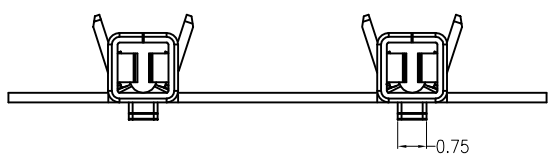
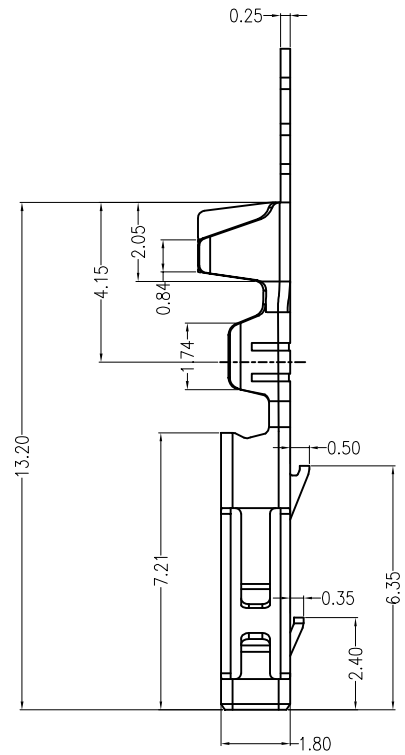
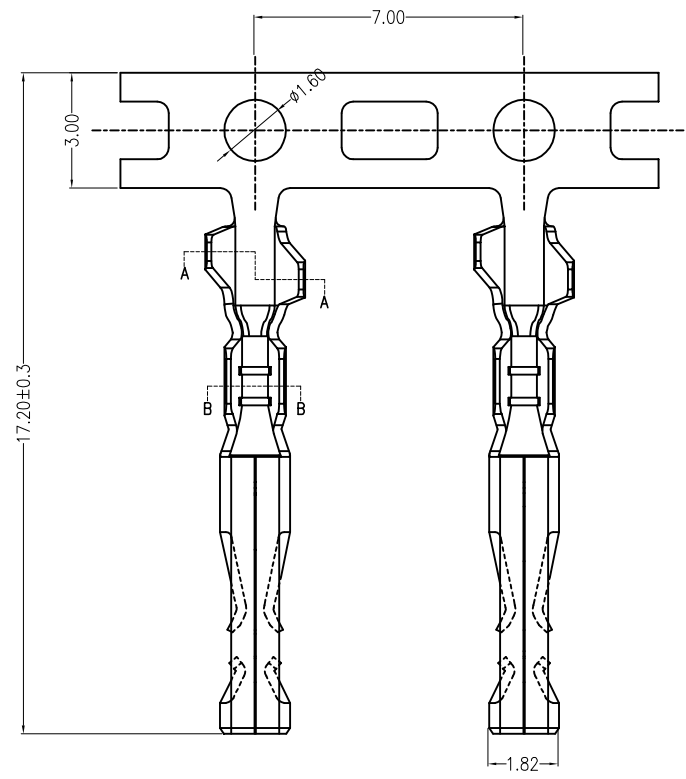


ORDER INFORMATION:

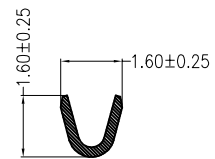


JKUN 温州健坤接插件有限公司 WENZHOU JKUN CONNECTOR CO.,LTD.		TITLE: 2.5mm PITCH Housing	
GENERAL TOLERANCE		USE: CUSTOMER	PART NO.: QA2505S2-2**-E3W-P
X. ± 0.50	X. $\pm 5^{\circ}$	APPD: Zhuzhigang	DWG NO.: JKUN-GCKH-1521
X.X ± 0.30	X.X $\pm 2^{\circ}$	CHKD: Zenglingqing	SCALE 1 : 1
X.XX ± 0.20	X.XX $\pm 1^{\circ}$	DR: Jiangjianying	SHEET 1 / 1
UNITS: mm			

REV	DESCRIPTION	DESIGN	DATE
A	NEW RELEASE	Lingqing	2022/03/21



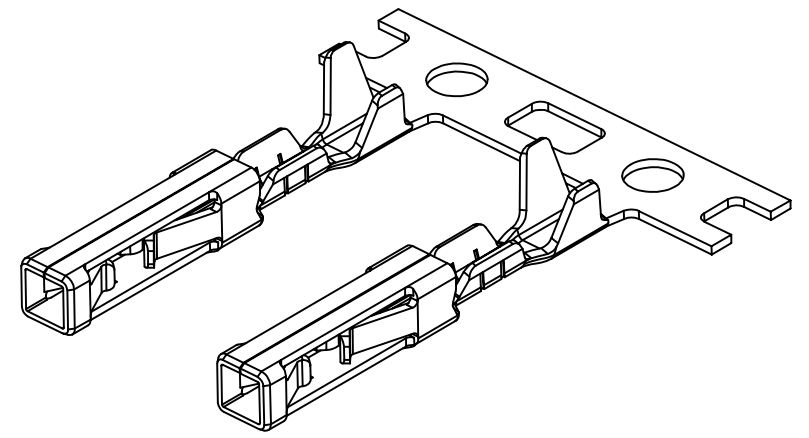
SECTION A-A



SECTION B-B

Specifications:

- Contact resistance: $\leq 20m\Omega$
- Insulation resistance: $\geq 1000M\Omega$
- Rated voltage: 250V AC DC
- Rated current: 3.0A AC DC
- Withstand Voltage: 1000V AC/minute
- Temperature Range: $-40^{\circ}C \sim +125^{\circ}C$
- Contacts: Phosphor Bronze Sn-plated
- Wire Range: AWG#26~24



JKUN 温州健坤接插件有限公司 WENZHOU JKUN CONNECTOR CO.,LTD.		TITLE: MX 2.50 Terminal	
GENERAL TOLERANCE		USE: CUSTOMER	PART NO.:
X. ± 0.50	X. $\pm 5^{\circ}$	APPD: Zhuzhigang	QA2505T-01
X.X ± 0.30	X.X $\pm 2^{\circ}$	CHKD: Zenglingqing	DWG NO.:
X.XX ± 0.20	X.XX $\pm 1^{\circ}$	DR: Jiangjianying	JKUN-GCDZ-0104
UNITS: mm		SCALE 1 : 1	SHEET 1 / 1